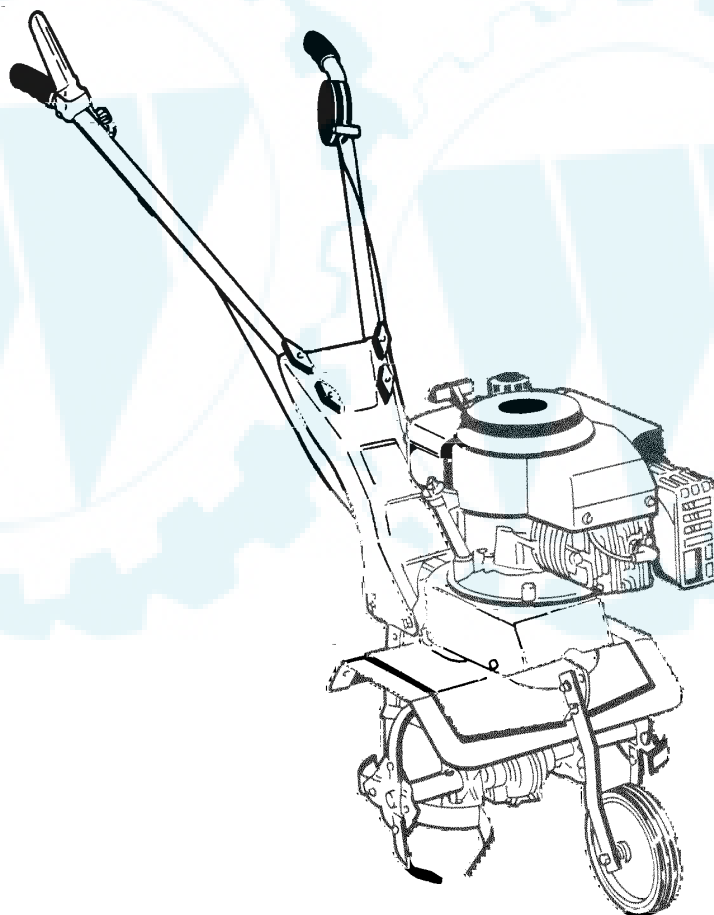




Motozappa • Motobineuse • Motortiller  
Motorhacke • Motoazada • Hakfreesmaschine

**RICAMBI  
RECHANGES  
SPARE PARTS  
ERSATZTEILE  
RECAMBIOS  
ONDERDELEN**



**mod. MEPPY HP3,7  
mod. TALPA 370**

| N.ord. - N. pieces<br>part. N. - bestell N. | RICAMBI<br>SPARE PARTS                  | RECHANGES<br>ERSATZTEILE                | RECAMBIOS<br>ONDERDELEN                | Q  |          |
|---|---|---|--|----|----------|
| 1 10 1233 53                                | distanziale<br>spacer                   | entretoise<br>Abstandsstück             | distanciador<br>afstandsring           | 1  |          |
| 2 10 1231 73                                | piastra<br>bearing                      | support<br>Halter                       | soporte<br>houder                      | 1  |          |
| 3 10 1231 90                                | molla<br>spring                         | ressort<br>Feder                        | muelle<br>veer                         | 40 |          |
| 4 10 1231 83                                | tirante<br>tie rod                      | entretoise<br>Zugstange                 | gancho<br>trekstang                    | 4  |          |
| 5 20 3823 00                                | vite<br>screw                           | vis<br>Schraube                         | tornillo<br>schroef                    | 8  | TE M8x20 |
| 5/1 20 1062 00                              | rondella dentellata<br>washer           | rondelle<br>Scheibe                     | arandela<br>borgring                   | 8  | Ø8E      |
| 6 10 1231 63                                | tubo<br>bearing                         | support<br>Halter                       | soporte<br>houder                      | 1  |          |
| 7 10 1232 17                                | ruota<br>wheel                          | roue<br>Rad                             | rueda<br>wiel                          | 1  | Ø170     |
| 8 10 1232 23                                | tappo - rondella<br>plug - washer       | bouchon - rondelle<br>Zapfen - Scheibe  | tapón - arandela<br>dop - borgring     | 1  |          |
| 9 10 1232 30                                | perno<br>pin                            | pivot<br>Zapfen                         | perno<br>pin                           | 1  |          |
| 10 10 2814 00                               | coppiglia<br>cotter pin                 | goupille<br>Splint                      | pasador<br>splitpen                    | 1  |          |
| 11 09 1232 40                               | arieggiatore destro<br>right aerator    | aérateur droit<br>Rechter Vertikutierer | aereator derecho<br>rechtes beluchter  | 1  |          |
| 12 09 1232 50                               | arieggiatore sinistro<br>left aerator   | aérateur gauche<br>Linker Vertikutierer | aereator izquierdo<br>linker beluchter | 1  |          |
| 13 10 1233 23                               | scarificatore<br>scarifier              | scarificateur<br>Belüfter               | escarificador<br>beluchter             | 1  |          |
| 14 10 1233 33                               | ruota motrice destra<br>driving wheel   | roue motrice<br>RechtersAntriebsrad     | ruedas motrice<br>rechter aandryfwiel  | 1  |          |
| 15 10 1233 43                               | ruota motrice sinistra<br>driving wheel | roue motrice<br>Linkers Antriebsrad     | ruedas motrice<br>linker aandryfwiel   | 1  |          |
| 16 10 1232 63                               | paratoia laterale<br>deflector          | deflecteur<br>Deflektor                 | protección<br>beschermkap              | 1  |          |
| 17 20 4809 00                               | vite<br>screw                           | vis<br>Schraube                         | tornillo<br>schroef                    | 3  | TE M6x16 |
| 18 20 6522 00                               | rondella<br>washer                      | rondelle<br>Scheibe                     | arandela<br>borgring                   | 3  | Ø6       |
| 19 20 2818 00                               | dado<br>nut                             | ecrou<br>Mutter                         | tuerca<br>moer                         | 3  | M6 NYLON |
| 20 10 1232 73                               | rincalzatore<br>ridger                  | buttoir<br>Furchenzeiher                | aparcador<br>aanaarder                 | 1  |          |
| 21 20 3853 00                               | vite<br>screw                           | vis<br>Schraube                         | tornillo<br>schroef                    | 2  | TE M8x25 |
| 22 20 1062 00                               | rondella dentellata<br>washer           | rondelle<br>Scheibe                     | arandela<br>borgring                   | 2  | Ø8E      |
| 23 20 1063 00                               | dado<br>nut                             | ecrou<br>Mutter                         | tuerca<br>moer                         | 2  | M8       |
|   |   |   |  |    |          |
|   |   |   |  |    |          |
|   |   |   |  |    |          |

Mod. MEPPY HP 3,7 - TALPA 370

TAV.1

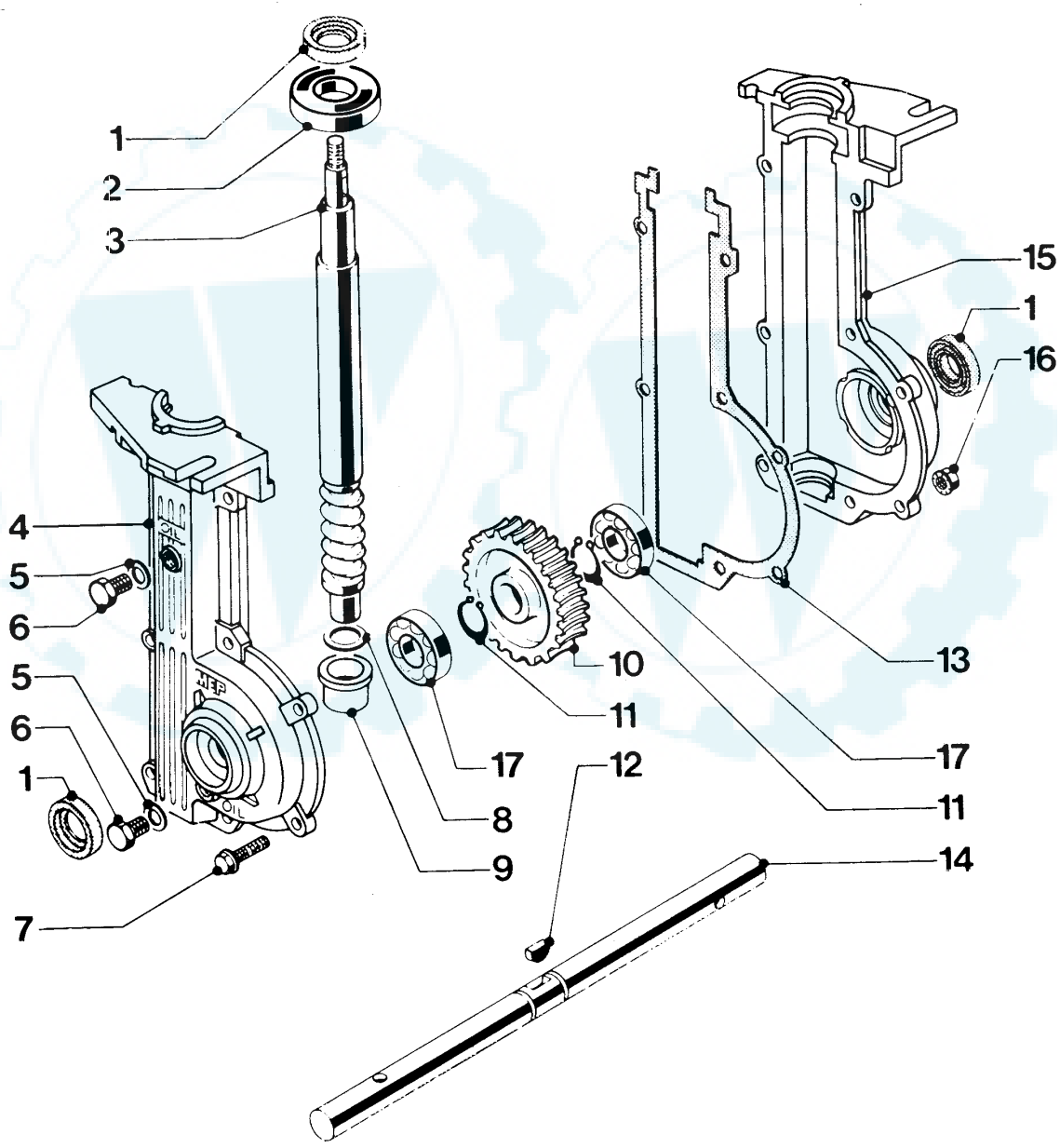
| N.ord. - N. pieces<br>part. N. - bestell N. | RICAMBI<br>SPARE PARTS                | RECHANGES<br>ERSATZTEILE             | RECAMBIOS<br>ONDERDELEN                | Q  |                     |
|---|---------------------------------------|--------------------------------------|--|----|---------------------|
| 1 10 1286 83                                | Imaniglia frizione<br>clutch lever    | levier d'embrayage<br>Kupplungshebel | mando embrague<br>Koppelingshendel     | 1  |                     |
| 2 10 6513 00                                | coppiglia<br>cotter pin               | goupille<br>Splint                   | pasador<br>splitpen                    | 1  |                     |
| 3 10 1226 83                                | guaina<br>sheating                    | gaine<br>Hülle                       | funda<br>hulsel                        | 2  |                     |
| 4 10 1226 60                                | manico<br>handle                      | guidon<br>Griffstange                | manillar<br>handreep                   | 1  |                     |
| 5 10 8761 03                                | supporto cavo<br>cable bearing        | support de cable<br>Kabelhalter      | soporte cable<br>kabelhouder           | 1  |                     |
| 6 10 8780 00                                | vite autofilettante<br>screw          | vis<br>Schraube                      | tornillo<br>schroef                    | 1  | Ø 3.9x16            |
| 7 10 1227 30                                | cavo frizione<br>clutch cable         | cable d'embrayage<br>Kluppungszung   | cable embrague<br>koppelingskabel      | 1  |                     |
| 8 10 1233 80                                | molla<br>spring                       | ressort<br>Feder                     | muelle<br>veer                         | 1  |                     |
| 9 10 6514 00                                | perno<br>pin                          | pivot<br>Zapfen                      | perno<br>pin                           | 1  |                     |
| 10 10 1157 03                               | dado a galletto<br>wing nut           | ecrou a papillon<br>Flügelmutter     | tuerca mariposa<br>vleugel moer        | 4  | M6                  |
| 11 10 1159 00                               | rondella ondulata<br>washer           | rondelle<br>Scheibe                  | arande ondulada<br>borgring            | 4  | Ø 6,5               |
| 12 10 8308 00                               | vite<br>screw                         | vis<br>Schraube                      | tornillo<br>schroef                    | 4  | M6 x 40             |
| 13 10 1227 70                               | piastra portamanici<br>handle bearing | support guidon<br>Griffstangehalter  | placa portamanillar<br>handgreephouder | 1  |                     |
| 14 10 1142 00                               | rondella<br>washer                    | rondelle<br>Scheibe                  | arandela<br>borgring                   | 20 | Ø 8                 |
| 15 20 3823 00                               | vite<br>screw                         | vis<br>Schraube                      | tornillo<br>schroef                    | 4  | M8 x2 0             |
| 16 20 4049 00                               | dado<br>nut                           | ecrou<br>Mutter                      | tuerca<br>moer                         | 9  | M8<br>Autobloccante |
| 17 10 1229 90                               | perno<br>pin                          | pivot<br>Zapfen                      | perno<br>pin                           | 2  |                     |
| 18 20 6551 00                               | vite<br>screw                         | vis<br>Schraube                      | tornillo<br>schroef                    | 2  | M6 x 16             |
| 19 10 1226 20                               | scocca<br>deck                        | chassi<br>Stahlgehäuse               | chasis<br>frame                        | 1  |                     |
| 20 10 1229 20                               | molla<br>spring                       | ressort<br>Feder                     | muelle<br>veer                         | 2  |                     |
| 21 10 1217 00                               | vite<br>screw                         | vis<br>Schraube                      | tornillo<br>schroef                    | 5  | M8 x 35             |
| 22 10 1229 73                               | asta<br>rod                           | tige<br>Stange                       | reja<br>stang                          | 1  |                     |
| 23 10 1230 80                               | manico<br>handle                      | guidon<br>Griffstange                | manillar<br>handgreep                  | 1  |                     |
| 24 10 2814 00                               | coppiglia<br>cotter pin               | goupille<br>Splint                   | pasador<br>splitpen                    | 2  |                     |
| 25 10 2447 00                               | rondella<br>washer                    | rondelle<br>Scheibe                  | arandela<br>borgring                   | 1  | 14/19               |
| 26 10 1009 00                               | chiavetta<br>key                      | clavette<br>Keil                     | chaveta<br>spie                        | 2  | WOODRUFF<br>4x6,5   |
| 27 20 1062 00                               | rondella dentellata<br>washer         | rondelle<br>Scheibe                  | arandela dentada<br>borgring           | 9  | 8/E                 |
| 28 20 1063 00                               | dado<br>nut                           | ecrou<br>Mutter                      | tuerca<br>moer                         | 10 | M8                  |
| 29 10 1231 50                               | riduttore<br>reducer kit              | reducteur<br>Getriebe                | reductor<br>reductor                   | 1  |                     |
| 30 10 1226 30                               | scocca superiore<br>upper deck        | chassi superiore<br>Obere Gehäuse    | chasis superior<br>bovenframe          | 1  |                     |

Mod. MEPPY HP 3,7 - TALPA 370

TAV.1

| N.ord. - N. pieces<br>part. N. - bestell N. | RICAMBI<br>SPARE PARTS              | RECHANGES<br>ERSATZTEILE               | RECAMBIOS<br>ONDERDELEN            | Q  |                 |
|---|-------------------------------------|--|------------------------------------|----|-----------------|
| 31 20 1017 00                               | dado<br>nut                         | ecrou<br>Mutter                        | tuerca<br>moer                     | 1  | M10             |
| 32 30 1021 00                               | rondella dentellata<br>washer       | rondelle<br>Scheibe                    | arandela dentada<br>borgring       | 1  | Ø 10/E          |
| 33 20 1130 00                               | rondella<br>washer                  | rondelle<br>Scheibe                    | arandela<br>borgring               | 1  | Ø 30/10         |
| 34 10 1225 90                               | puleggia riduttore<br>pulley        | poulie<br>Riemenscheibe                | polea reductor<br>poelie           | 1  |                 |
| 35 10 1228 70                               | giunto coupling                     | manchon<br>Muffe                       | junta<br>koppeling                 | 1  |                 |
| 36 20 3853 00                               | vite<br>screw                       | vis<br>Schraube                        | tornillo<br>schroef                | 4  | M8x 25          |
| 37 10 0691 00                               | vite<br>screw                       | vis<br>Schraube                        | tornillo<br>schroef                | 2  | M8x 45          |
| 39 10 122753                                | cursore<br>slider                   | curseur<br>Schieber                    | cursor<br>houder                   | 4  |                 |
| 40 10 1230 43                               | rondella<br>washer                  | rondelle<br>Scheibe                    | arandela<br>borgring               | 2  | GOMMA           |
| 41 10 1227 10                               | perno con molla<br>pin with spring  | pivot avec ressort<br>Zapfen mit Feder | pasador con muelle<br>pin met veer | 2  |                 |
| 42 10 1227 03                               | stella frese<br>blade star          | etoile de fraise<br>Hackmesser         | estella fresas<br>freesmessen      | 2  |                 |
| 43 20 2866 06                               | rondella dentellata<br>washer       | rondelle<br>Scheibe                    | arandela dentada<br>borgring       | 8  | Ø 6/E           |
| 44 10 5012 00                               | dado<br>nut                         | ecrou<br>Mutter                        | tuerca<br>moer                     | 10 | M6              |
| 45 10 1229 80                               | perno guidacinghia<br>pin           | pivot<br>Zapfen                        | perno guia correa<br>pin           | 2  |                 |
| 46 20 1205 80                               | vite<br>screw                       | vis<br>Schraube                        | tornillo<br>schroef                | 1  | Ø 3/8" UNF x 37 |
| 47 10 1230 20                               | cinghia<br>belt                     | courroie<br>Keilriemen                 | correa<br>riem                     | 5  |                 |
| 49 10 1229 10                               | puleggia motore<br>pulley           | poulie<br>Riemenscheibe                | polea motor<br>poelie              | 1  |                 |
| 51 10 4274 00                               | vite autofilettante<br>screw        | vis<br>Schraube                        | tornillo<br>schroef                | 1  | Ø 4,8 x 13      |
| 52 10 1227 63                               | mascherina<br>plate                 | planche<br>Platte                      | embellecedor<br>plaatje            | 1  |                 |
| 53 10 1230 30                               | distanziale paratoia<br>spacer      | entretoise<br>Abstandsstück            | distanciador<br>afstandsring       | 2  |                 |
| 54 10 1226 43                               | paratoia di protezione<br>deflector | deflecteur<br>Deflektor                | proteccion<br>beschermkap          | 1  |                 |
| 55 10 1226 90                               | asta portaruota<br>rod              | tife<br>Stange                         | rerja portarrueda<br>stang         | 1  |                 |
| 56 10 0239 07                               | ruota<br>wheel                      | roue<br>Rad                            | rueda<br>wiel                      | 1  |                 |
| 57 10 4076 00                               | vite<br>screw                       | vis<br>Schraube                        | tornillo<br>schroef                | 1  | M8 x 70         |
| 58 10 1228 93                               | supporto motore<br>motor bearing    | suport moteur<br>Motor halter          | soporte motor<br>Motorhouder       | 1  |                 |
| 59 10 1234 20                               | vite<br>screw                       | vis<br>Schraube                        | tornillo<br>schroef                | 1  | M4 x 45         |
| 60 10 1230 70                               | acceleratore<br>accelerator         | accélérateur<br>Beschleuniger          | acelerator<br>gashendel            | 1  |                 |
| 61 20 2805 00                               | dado<br>nut                         | ecrou<br>Mutter                        | tuerca<br>moer                     | 1  | M4              |
| 62 10 5012 50                               | rondella piana<br>washer            | rondelle<br>Scheibe                    | arandela<br>borgring               | 1  | Ø 4/12/1        |
| 63 10 4801 00                               | rondella dentellata<br>washer       | rondelle<br>Scheibe                    | arandela<br>borgring               | 1  | Ø4E             |

29



mod. MEPPY HP1,6 - HP 3,7 - TALPA 160 - 370

Riduttore completo-Reducteur complete-Reducer kit-Getriebe-Reductor completo-Complete reductor

TAV.1

| N.ord. - N. pieces<br>part. N. - bestell N. | RICAMBI<br>SPARE PARTS       | RECHANGES<br>ERSATZTEILE            | RECAMBIOS<br>ONDERDELEN  | Q |                          |
|---|------------------------------|-------------------------------------|--------------------------|---|--------------------------|
| 1 20 2866 37                                | anello di tenuta<br>gas ring | bague d'étanchéité<br>Dichtungsring | anillo retención<br>ring | 3 | Ø 20/32/8                |
| 2 20 1225 60                                | cuscinetto<br>ball bearing   | roulement<br>Kugellager             | cojinete<br>kogellager   | 1 | Ø 20/47/14-ZZ<br>6204-ZZ |
| 3 20 1225 50                                | albero entrata<br>shaft      | arbre<br>Welle                      | eje entrada<br>as        | 1 |                          |
| 4 20 1231 00                                | cassa<br>reduction gearbox   | boîtier<br>Getriebegehäuse          | caja<br>tandwielkast     | 1 |                          |
| 5 20 7636 00                                | guarnizione<br>gasket        | guarniture<br>Dichtung              | junta<br>pakking         | 2 |                          |
| 6 20 7637 00                                | tappo<br>plug                | bouchon<br>Verschluß                | tapón<br>dop             | 2 | Ø 1/8" GAS               |
| 7 20 1226 00                                | vite<br>screw                | vis<br>Schraube                     | tornillo<br>schroef      | 8 | M6 x 20<br>con rondella  |
| 8 20 1229 30                                | rondella rasamento<br>washer | rondelle<br>Scheibe                 | arandela<br>borgring     | 1 | Ø 20/32/0,5              |
| 9 20 1229 50                                | bronzina<br>bush             | douille<br>Buchse                   | manguito<br>lager        | 1 |                          |
| 10 20 1231 20                               | ingranaggio<br>crown gear    | engranage<br>Zahnrad                | engranage<br>pignon      | 1 |                          |
| 11 20 2866 31                               | seeger<br>seeger             | seeger<br>Segerring                 | arandela<br>seeger       | 2 | Ø 20/E                   |
| 12 20 1229 60                               | chiavetta<br>key             | clavette<br>Keil                    | chaveta<br>spie          | 1 | 5x6,5<br>WOODRUF         |
| 13 20 1226 10                               | guarnizione<br>gasket        | guarniture<br>Dichtung              | junta<br>pakking         | 1 |                          |
| 14 20 1231 30                               | albero uscita<br>shaft       | arbre<br>Welle                      | eje salida<br>as         | 1 |                          |
| 15 20 1231 10                               | cassa<br>reduction gearbox   | boîtier<br>Getriebegehäuse          | caja<br>tandwielkast     | 1 |                          |
| 16 20 1227 90                               | dado<br>nut                  | ecrou<br>Mutter                     | tuerca<br>moer           | 8 | M6<br>FLANGIATO          |
| 17 20 1231 40                               | cuscinetto<br>ball bearing   | roulement<br>Kugellager             | cojinete<br>kogellager   | 2 | Ø 20/42/12<br>6004       |
| 29 10 1231 50                               | riduttore<br>reducer kit     | reducteur<br>Getriebe               | reductor<br>reductor     | 1 |                          |
|   |                              |                                     |                          |   |                          |
|   |                              |                                     |                          |   |                          |
|   |                              |                                     |                          |   |                          |
|   |                              |                                     |                          |   |                          |
|   |                              |                                     |                          |   |                          |
|   |                              |                                     |                          |   |                          |
|   |                              |                                     |                          |   |                          |
|   |                              |                                     |                          |   |                          |
|   |                              |                                     |                          |   |                          |
|   |                              |                                     |                          |   |                          |
|   |                              |                                     |                          |   |                          |
|   |                              |                                     |                          |   |                          |

